

- 全封闭焊接外壳
- 耐高温
- 与所有Schaevitz型号处理设备相兼容

产品说明

HCA - RA系列LVDT在惰性气体环境下用氩弧焊密(TIG焊接)封,可以阻挡灰尘、水、蒸汽、腐蚀性液体。产品采用玻璃胶密封的接插件。与标准HCA系列不同的是HCA - RA系列在传感器末端开孔,接插件与传感器成90度。

产品的暴露表面、腔孔衬套和接插件外壳均为不锈钢材质。产品可以承受高达1000psi (70bar)的外部压力。双重电磁屏蔽可以抗外部电磁干扰。

特点

- 适用于恶劣环境下使用的全封闭焊接外壳
- 接插件连接
- 所有产品均附有校准证
- 与Schaevitz信号处理设备兼容
- 可耐高温(220) - 请向工厂咨询

应用

- 阀门位置反馈
- 垂直安装应用
- 配合适当的接插件可水下使用

选件

- 5 KHz和10KHz激励频率测试
- 公制螺纹铁芯
- 制导芯体
- 小直径/轻质铁芯
- 防轻微辐射(可承受 10^{12} NVT总积分通量 ; 10^7 Rads伽马)

性能参数

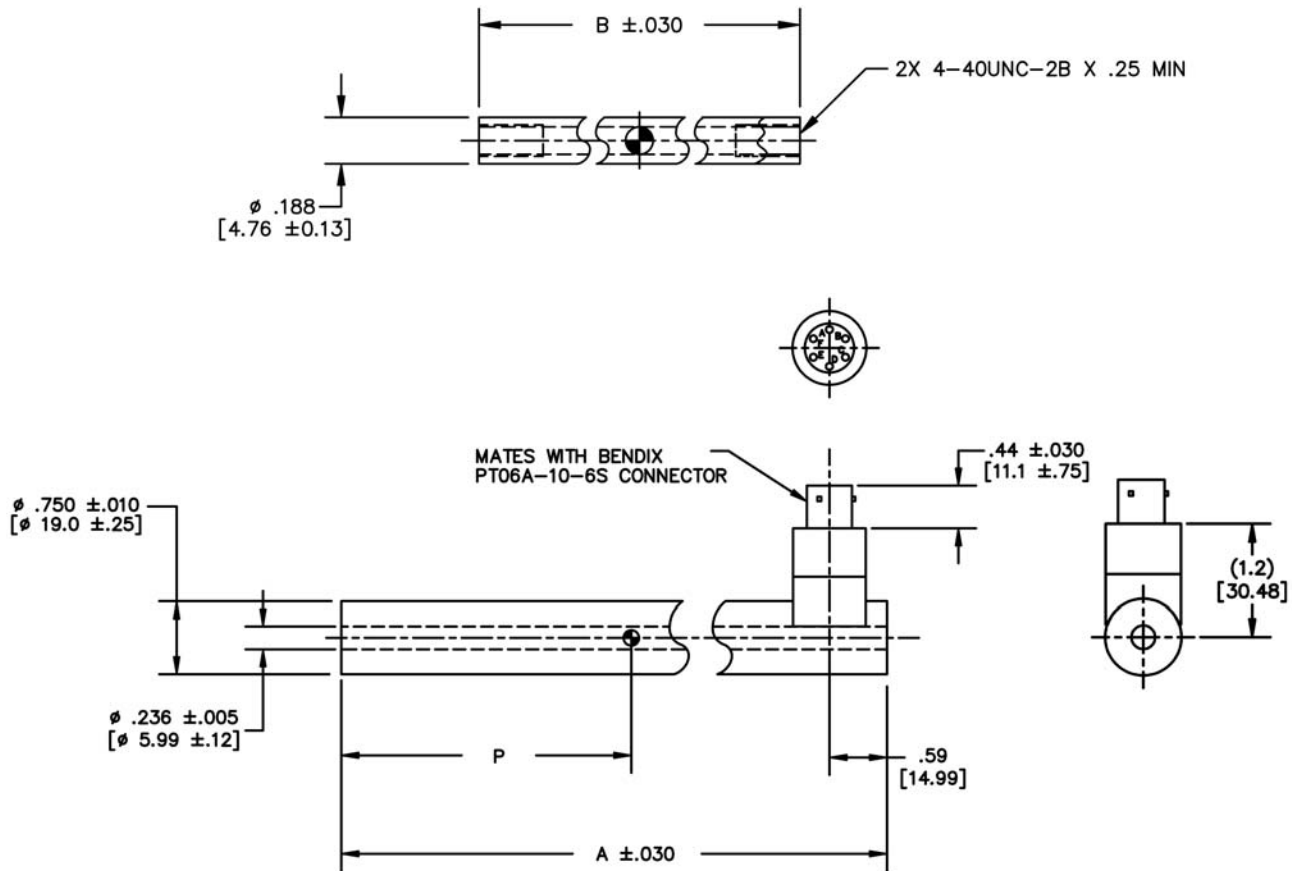
| | |
|------|------------------------|
| 输入电压 | 3Vrms(标称) |
| 频率范围 | 400Hz至10KHz |
| 工作温度 | -65 ~ 300 (-55 ~ 150) |
| 零点电压 | <0.5%FS |
| 耐受冲击 | 1000g/11毫秒 |
| 振动允限 | 20g/2KHz |
| 线圈材料 | 高密度玻璃填充聚合物 |
| 外壳材料 | AISI400系列不锈钢 |
| 电气连接 | 6针接插件 |

2.5KHz时的性能和电气规格

| HCA - RA系列 型号 | 标称 线性量程 | | 线性度(±%F.R.) | | | | 灵敏度 mV/V每 | | 阻抗 欧姆 | | 相位 差度 |
|------------------|------------|--------|-------------|------|-------|-------|--------------|-----|----------|------|----------|
| | 英寸 | 毫米 | 50 | 100 | 125 | 150 | 0.01英寸 | 毫米 | 初级 | 次级 | |
| 050 HCA-RA | ±0.050 | ±1.27 | 0.20 | 0.25 | 0.25 | 0.50 | 4.2 | 165 | 430 | 950 | +6 |
| 125 HCA-RA | ±0.125 | ±3.17 | 0.20 | 0.25 | 0.25 | 0.50 | 2.4 | 95 | 1710 | 1820 | +5 |
| 250 HCA-RA | ±0.250 | ±6.35 | 0.20 | 0.25 | 0.30 | 0.50 | 1.6 | 63 | 800 | 940 | +5 |
| 500 HCA-RA | ±0.500 | ±12.70 | 0.20 | 0.25 | 0.30 | 0.55 | 1.1 | 44 | 900 | 1150 | +2 |
| 1000 HCA-RA | ±1.000 | ±25.40 | 0.20 | 0.25 | 0.35 | 0.55* | 0.84 | 34 | 900 | 2100 | +1 |
| 2000 HCA-RA | ±2.000 | ±50.80 | 0.20 | 0.25 | 0.40* | 0.70* | 0.34 | 14 | 525 | 535 | -1 |
| 3000 HCA-RA | ±3.000 | ±76.50 | 0.20 | 0.25 | 0.50* | 1.00* | 0.20 | 8.0 | 930 | 1040 | +1 |
| 5000 HCA-RA | ±5.000 | ±127.0 | 0.20 | 0.25 | 0.80* | n/r | 0.16 | 6.4 | 1200 | 1640 | -5 |
| 10000 HCA-RA | ±10.00 | ±254 | 0.20 | 0.25 | 0.90* | n/r | 0.13 | 5.0 | 930 | 3000 | -6 |

所有校准均在室温下执行。
要求特殊的缩减铁芯。

产品尺寸



产品选型

| 型号 | 产品编号 | A | B | P |
|-------|--------------|---------------|---------------|---------------|
| 050 | 02560413-500 | 1.66 [42.2] | 0.59 [15.0] | 0.55 [14.0] |
| 125 | 02560414-500 | 2.50 [63.5] | 1.10 [27.9] | 0.96 [24.4] |
| 250 | 02560415-500 | 3.36 [85.3] | 1.80 [45.7] | 1.39 [35.3] |
| 500 | 02560416-500 | 5.05 [128.3] | 3.00 [76.2] | 2.23 [56.6] |
| 1000 | 02560417-500 | 7.29 [185.2] | 3.80 [96.5] | 3.32 [84.3] |
| 2000 | 02560418-500 | 10.68 [271.3] | 5.30 [134.6] | 5.05 [128.3] |
| 3000 | 02560419-500 | 15.76 [400.3] | 6.20 [157.5] | 7.59 [192.8] |
| 5000 | 02560420-500 | 19.70 [500.4] | 6.20 [157.5] | 9.56 [242.8] |
| 10000 | 02560421-500 | 33.82 [859.0] | 12.00 [304.8] | 16.61 [421.9] |

联系方式

| 中国 | 北美 | 欧洲 |
|--|---|--|
| 北京赛斯维测控技术有限公司 北京市朝阳区望京西路48号 金隅国际C座1002 电话：+86 010 8477 5646 传真：+86 010 5894 9029 邮箱： sales@sensorway.cn | Measurement Specialties Inc. 1000 Lucas Way Hampton,VA 23666 Tel: 1-757-766-1500 Fax: 1-757-766-4297 Sales: sales.hampton@meas-spec.com | MEAS Europe 105 av.Du General Eisenhower BP 23705,31037 Toulouse,Cedex 1,France Tel: +33 561-194-824 Fax: +33 561-194-553 Sales: humidity.cs@meas-spec.com |

The information in this sheet has been carefully reviewed and is believed to be accurate; however, no responsibility is assumed for inaccuracies. Furthermore, this information does not convey to the purchaser of such devices any license under the patent rights to the manufacturer. Measurement Specialties, Inc. reserves the right to make changes without further notice to any product herein. Measurement Specialties, Inc. makes no warranty, representation or guarantee regarding the suitability of its product for any particular purpose, nor does Measurement Specialties, Inc. assume any liability arising out of the application or use of any product or circuit and specifically disclaims any and all liability, including without limitation consequential or incidental damages. Typical parameters can and do vary in different applications. All operating parameters must be validated for each customer application by customer's technical experts. Measurement Specialties, Inc. does not convey any license under its patent rights nor the rights of others.