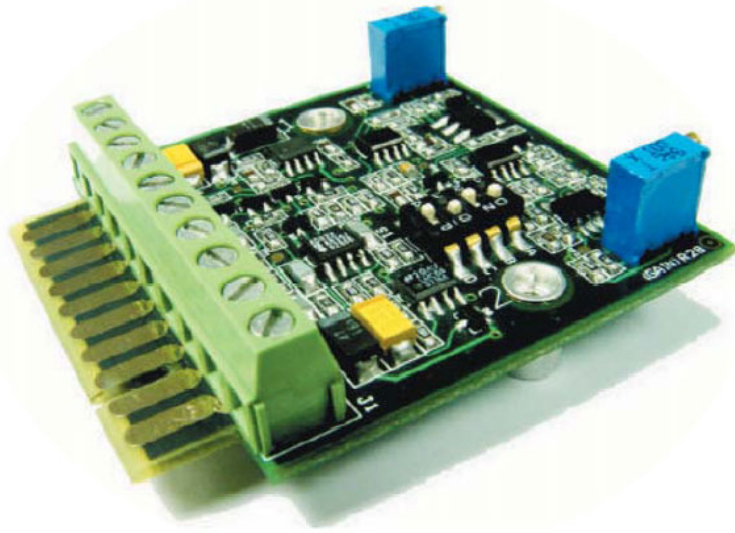


LIM 4 - 20

LVDT/RVDT变送器模块



- 插入式、卡边缘或支座安装
- 零位和满度控制

产品说明

LIM 4 - 20是精量电子专门为广大OEM客户推出的新型低成本LVDT/RVDT调节模块。电气连接可用插入式安装或螺钉固定。Dip开关可以通过一个比率为2.5到1的螺杆电位计实现输出的增益控制。4到20mA的输出可达到LVDT从100mA到5.6Vrms输出的效果。

20匝调零电位计可以提供 $\pm 2.5\text{mA}$ 零点校正范围。

特点

- 插入式、卡边缘或支座安装
- 零位和满度控制

应用

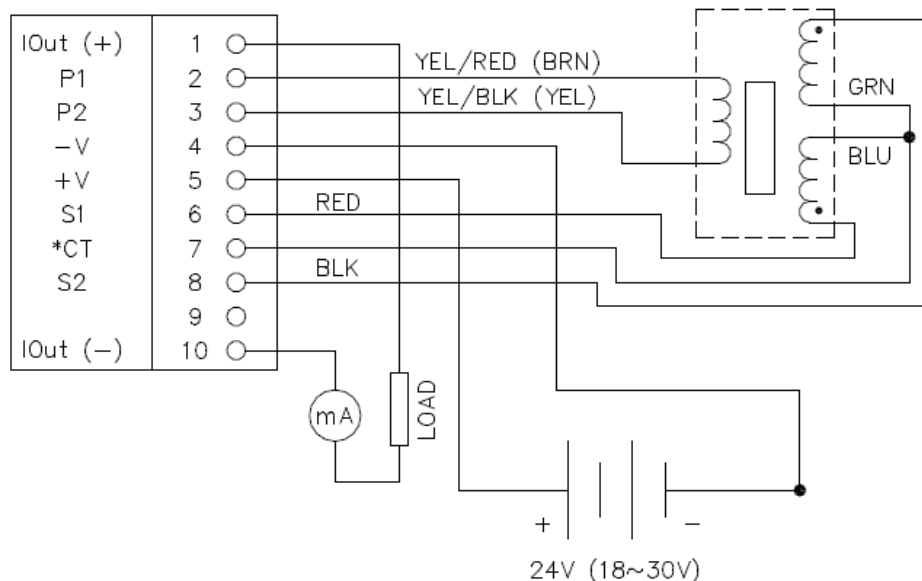
- 阀门位置反馈
- 辊筒位置
- 纸张网前箱控制
- 刮刀式涂胶机缝隙
- 材料测试机械

性能参数

传感器励磁	
电压	3.5 ± 10% V rms (20mA)
频率	2.5 kHz
输出	4 ~ 20mA
噪声和纹波	25 micro-Amps rms (最大)
最小线圈阻抗	500 (+24Vdc供电)
灵敏度	0.1 ~ 5.6Vrms (满量程输出)
固定增益	6 (开关可选)
校正增益	2.5 ~ 1
零点校正	± 2.5mA
非线性	0.05%
频率响应	50 Hz (正常) (-3dB)
温度系数	0.01% FS0/ 0.02% FS0/
工作温度	-13 ~ +185 -25 ~ +85
增益控制	20匝微型电位计(2.5 ~ 1的比率)
输入电压	18 ~ 30 Vdc
输入电流	50mA (最大)
稳定性	<0.05% FS0 (30分钟预热之后)

电气连接

尺寸标注单位：英寸(毫米)

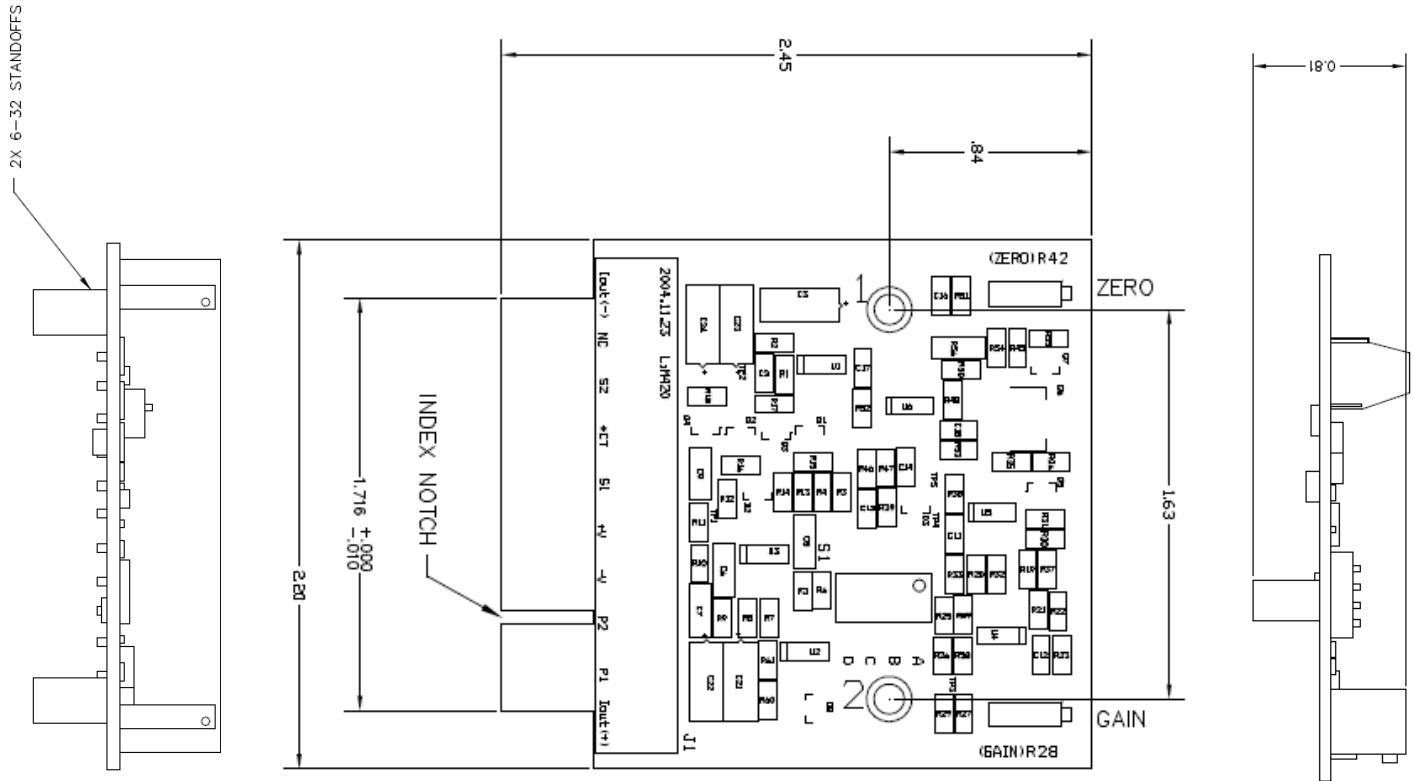


LIM 4 - 20

LVDT/RVDT变送器模块

产品尺寸

尺寸标注单位：英寸(毫米)



联系方式

中国

北京赛斯维测控技术有限公司
北京市朝阳区望京西路48号
金隅国际C座1002
电话：+86 010 8477 5646
传真：+86 010 5894 9029
邮箱：sales@sensorway.cn

北美

Measurement Specialties Inc.
1000 Lucas Way
Hampton, VA 23666
Tel: 1-757-766-1500
Fax: 1-757-766-4297
Sales: sales.hampton@meas-spec.com

欧洲

MEAS Europe
105 av. Du General Eisenhower
BP 23705, 31037 Toulouse, Cedex 1, France
Tel: +33 561-194-824
Fax: +33 561-194-553
Sales: humidity.cs@meas-spec.com

The information in this sheet has been carefully reviewed and is believed to be accurate; however, no responsibility is assumed for inaccuracies. Furthermore, this information does not convey to the purchaser of such devices any license under the patent rights to the manufacturer. Measurement Specialties, Inc. reserves the right to make changes without further notice to any product herein. Measurement Specialties, Inc. makes no warranty, representation or guarantee regarding the suitability of its product for any particular purpose, nor does Measurement Specialties, Inc. assume any liability arising out of the application or use of any product or circuit and specifically disclaims any and all liability, including without limitation consequential or incidental damages. Typical parameters can and do vary in different applications. All operating parameters must be validated for each customer application by customer's technical experts. Measurement Specialties, Inc. does not convey any license under its patent rights nor the rights of others.